

PF 65.000 | PFA 60.000

ECOOL FILTERFAN | EXHAUST FILTER 480–505 m³/h



- installation size 6, air flow rate up to 505 m³/h
- three performance classes, cut-out compatible
- system of protection IP 54 and IP 55, NEMA type 12
- UL, cUL approval
- UV-resistance (IP 55 version, RAL 7035)
- cut-out compatible with installation size 6 from the 3rd Generation and with cooling unit DTFI 9021

PRODUCT		PF 65.000		
ARTICLE NO.	IP 54	11665102055	11665152055	Unit
ARTICLE NO.	IP 55	11665103055	11665153055	

DATA				
Rated voltage ±10 %		AC 50 60 Hz		
		230	115	V
Unimpeded airflow	IP 54	480 480		m³/h
	IP 55	505 505		
Airflow rate in comb. with exhaust filter	IP 54	370 370		
	IP 55	380 380		
Power consumption		80 100	75 90	W
Current consumption		0.35 0.45	0.66 0.8	A
Noise level according to EN ISO 3741		54 52		dB (A)
Weight		3.2		kg
Type of connection		spring-type terminal		
Fuse		6		A
System of protection according to EN 60529 / UL 50	IP 54	NEMA type 12 - standard filter		
	IP 55	NEMA type 12 - fluted filter		
Filtration efficiency	IP 54	91		%
	IP 55			
Filter mat quality class according to EN 779	IP 54	G 4		
	IP 55			
Duty cycle		100		%
Bearing type		ball bearing		
Service life L ₁₀ (+ 40 °C) ¹		40000		h
Temperature range		-40 ... +55 -40 ... +131		°C °F
Design (housing and protection against accidental contact)	IP 54	made of injection-moulded thermoplastic, self-extinguishing, UL 94 VO		
	IP 55	additional: UV-resistant		
Colour		RAL 7035 different colours available on request		

ACCESSORIES		ARTICLE NUMBER
Exhaust filter	gray	11760002055
Exhaust filter	black	11760002050
Spare filter mats	5 pieces	18611600033
Thermostat		17121000000
Hygrostat		17207000000
Rainhood in stainless steel		18102000020

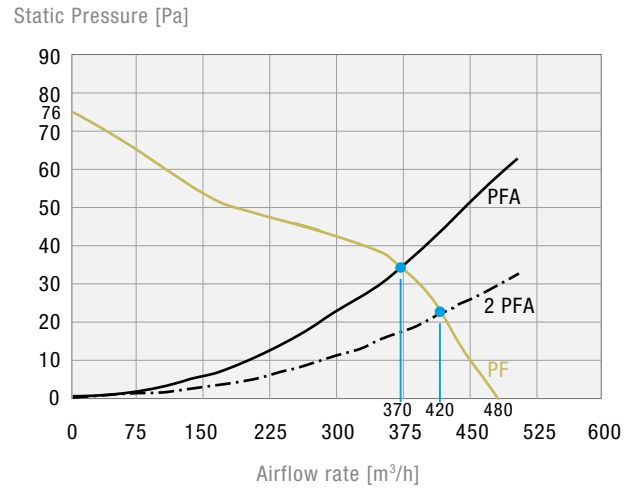
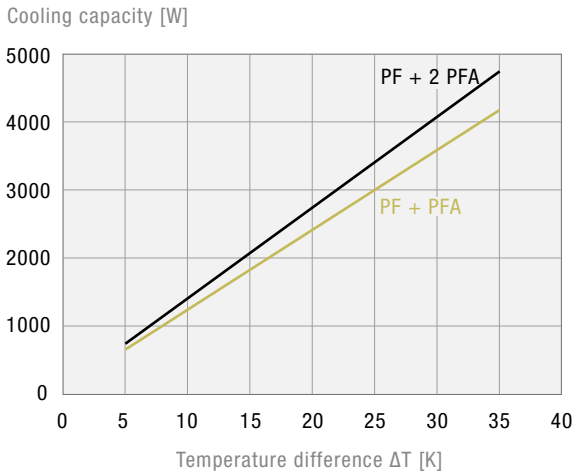
For additional models, options and voltages visit www.pfannenber.com or contact us directly.

¹ fan failure is defined as being when the current and speed deviate or the operating noises are out of the ordinary

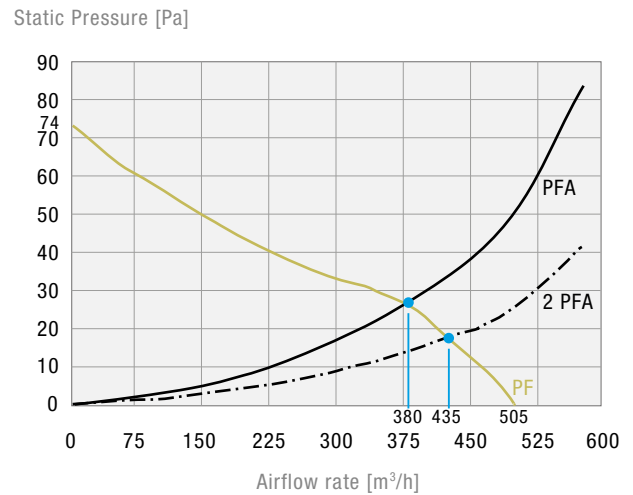
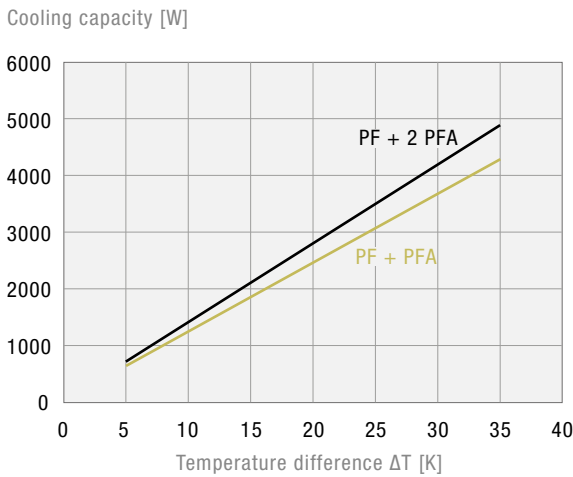
Cooling capacity performance curves

Static pressure performance curve

PF 65.000 IP 54

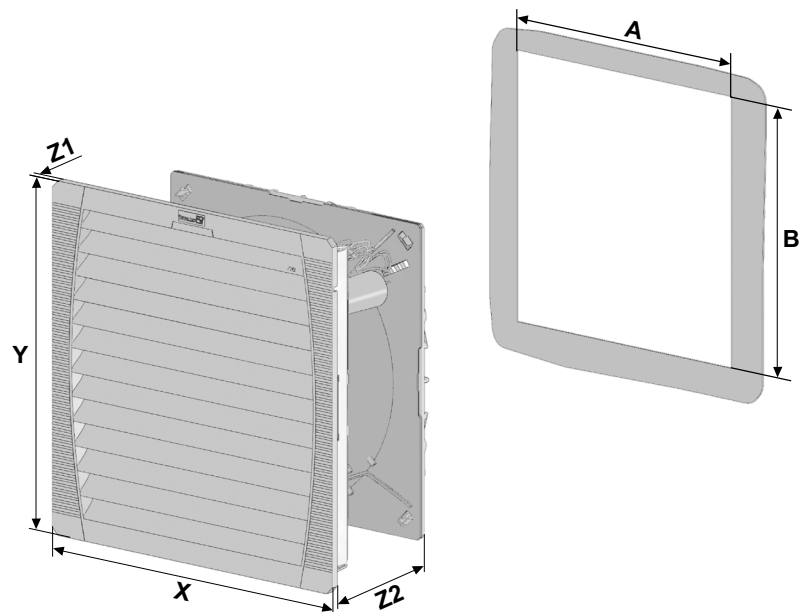


PF 65.000 IP 55



Dimensions

mm	PF 65.000	PFA 60.000
X	320	320
Y	320	320
Z1	7	7
Z2	150	39
A ¹	292	292
B ¹	292	292



¹ for material thicknesses up to 2 mm
+ 1 mm for thickness of material > 2 mm ≤ 3 mm